



Heart & Technology

# *LS Gears*

*Leading Standard Gears*

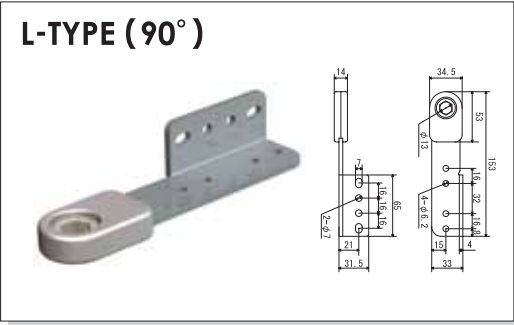


*fine gear series*

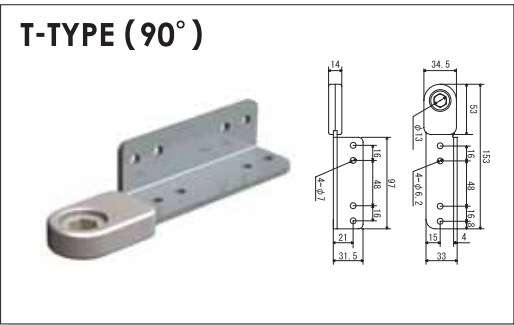
## All Possible Combination

### BASE - TYPE

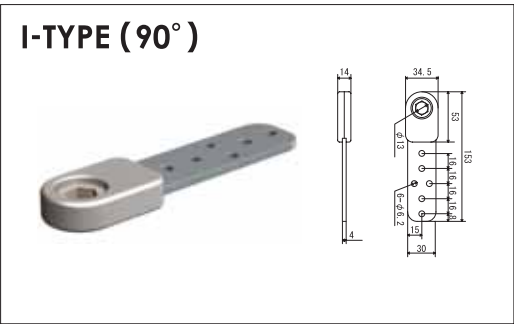
#### L-TYPE (90°)



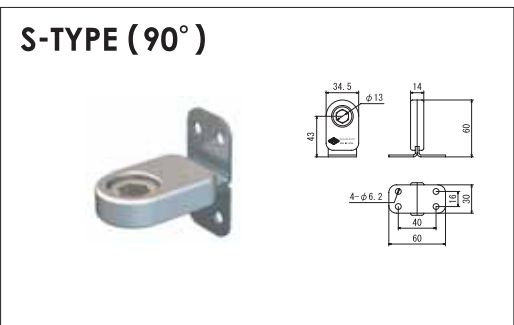
#### T-TYPE (90°)



#### I-TYPE (90°)

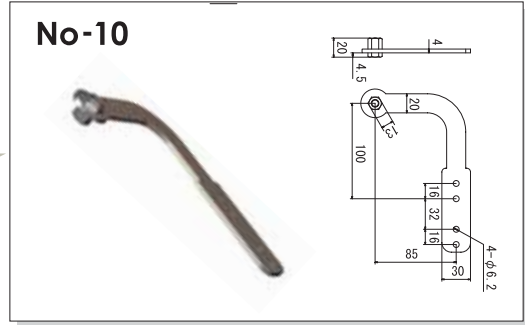


#### S-TYPE (90°)

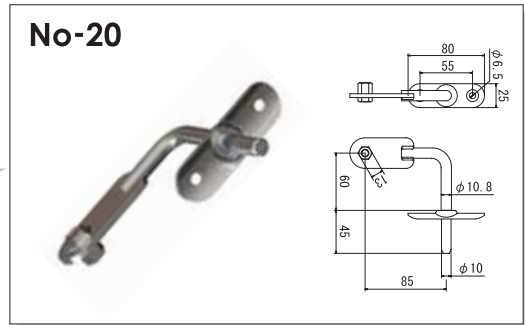


### ARM - TYPE

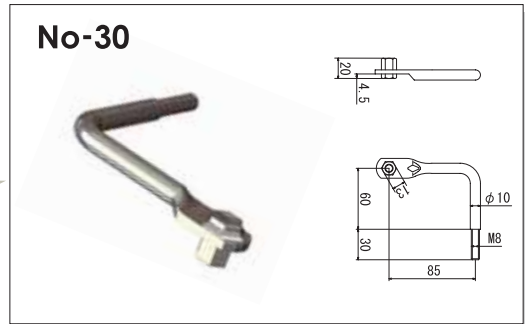
#### No-10



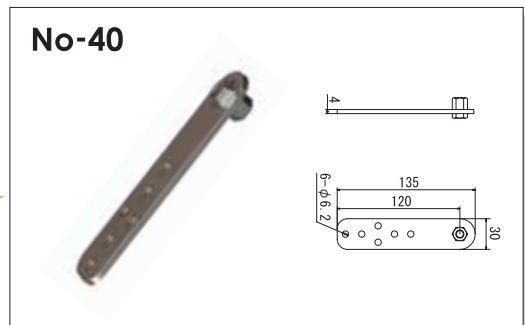
#### No-20



#### No-30



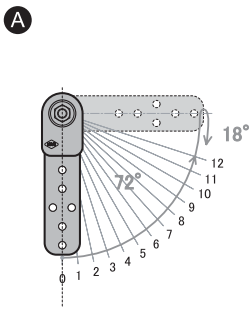
#### No-40



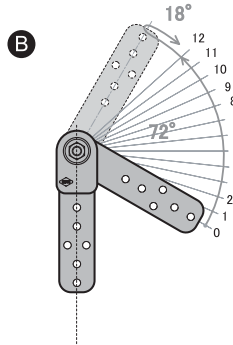
OEM

Here are some solutions how the base and the arm be combined and functioned well to your sofa mechanism.

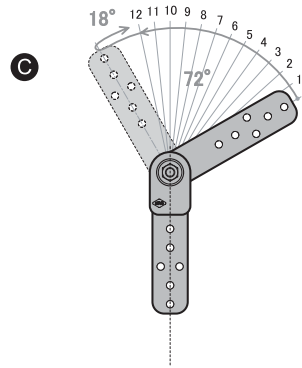
Example of I-TYPE + No-40



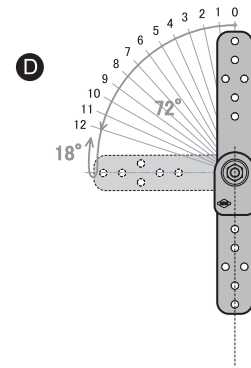
zero position=72°  
end position= 0°



zero position=60°  
end position= 132°



zero position=120°  
end position= 192°



zero position=180°  
end position= 252°



**I-TYPE + No-10**  
【Model No. LS90-110-A】



**I-TYPE + No-20**  
【Model No. LS90-120-A】



**I-TYPE + No-30**  
【Model No. LS90-130-A】



**I-TYPE + No-40**  
【Model No. LS90-140-A】

### Main Features

1. Any Combination Possible Among Our Bases And Our Arms.
2. Durable : More than 150N•m
3. Interchangeable Hole Pitch Especially For Wood Framed Sofa
4. Complete Symmetry
5. Best Possible Solution For Creating Your New Functional Sofa

	LS gear
Thickness	14mm (Base)
Durability	150N•m
Pitch	6°
Cosmetics	Complete Symmetry
OEM	Possible for different motion patterns/steps



Heart & Technology

### KOYO ENGINEERING CO.,LTD.

1214, Kusabe, Nishi-ku, Sakai, Osaka 5938312 Japan  
Phone: +81-72-275-1300 Fax: +81-72-273-1777  
Email: info@koyoeng.co.jp  
http://www.koyoeng.co.jp/english

### DONGGUAN KOYO TRADING CO., LTD.

NO.6, Fushi Industrial Zone, West Binhe Road, Qingxi Town,  
Dongguan City, Guangdong Province, China  
Phone: +86-769-87845858 Fax: +86-769-87845811  
Email: koyochina@koyoeng.co.jp  
http://www.koyoneg.co.jp/chinese