

Hot products release for Interzum 2013

interzum



Micro-Pitch Gears

KOYO

Corporation



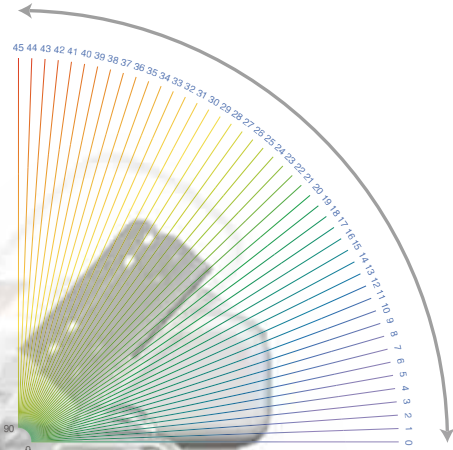
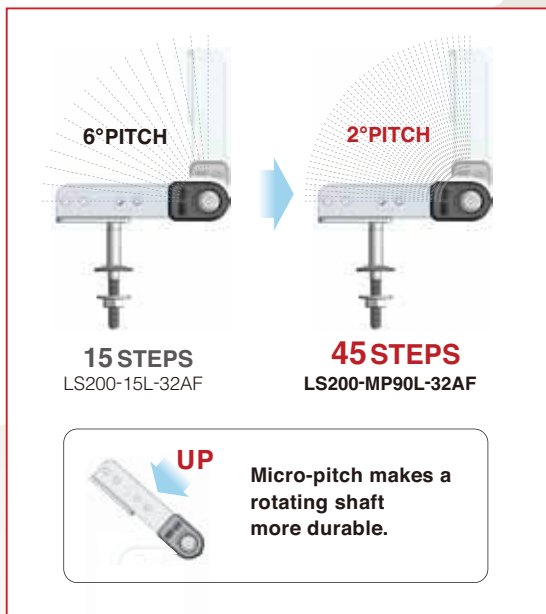
Heart & Technology®

MICRO-PITCH TYPE

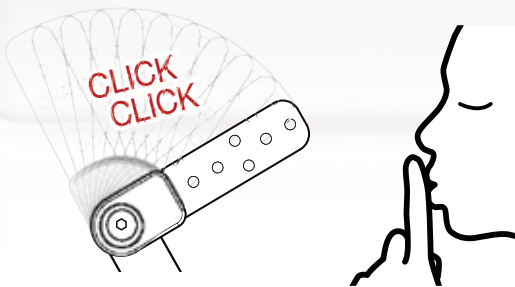
FEATURE

One of the coming generation of fittings, *Micro-Pitch Gears*, offers a super fine pitch per step.

This unprecedented feature allows a highly precise adjustment of arms and head-rests to create groundbreaking silent click for a peaceful housing environment



Quieter click



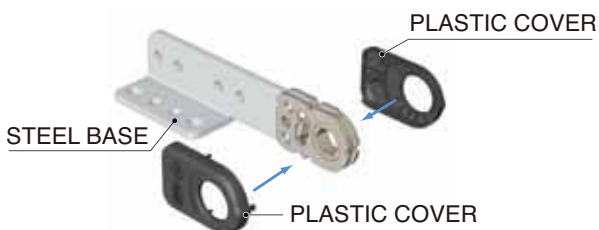
Powerful & high durability

LS200 → 200N·m
LS300 → 300N·m

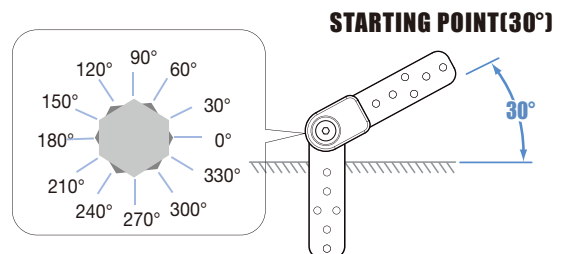
MORE THAN
50,000 CYCLES



Protected by safety plastic cover



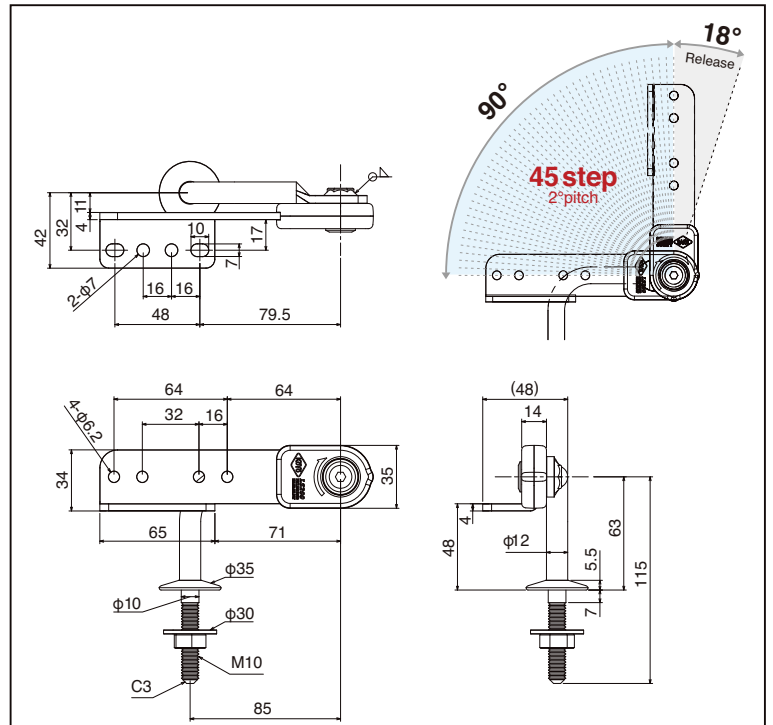
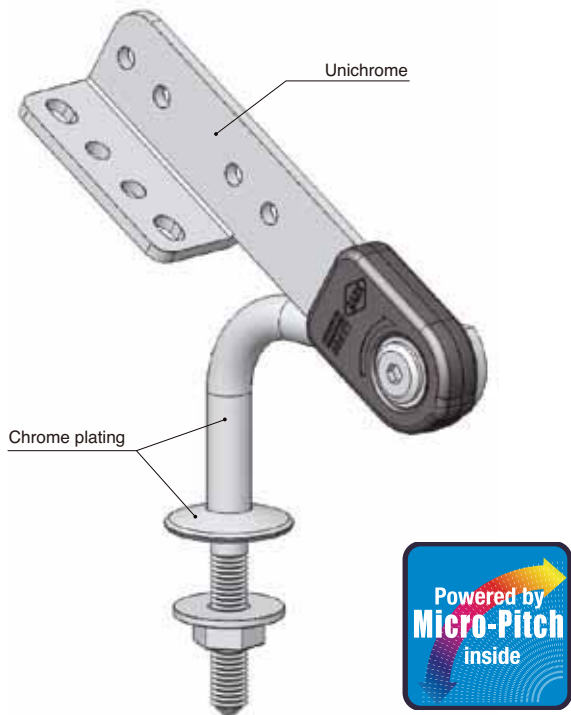
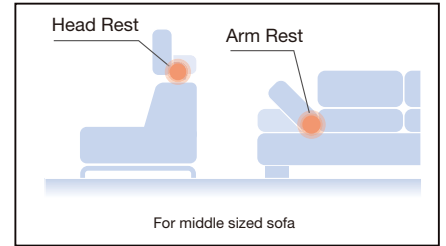
Flexible for starting point



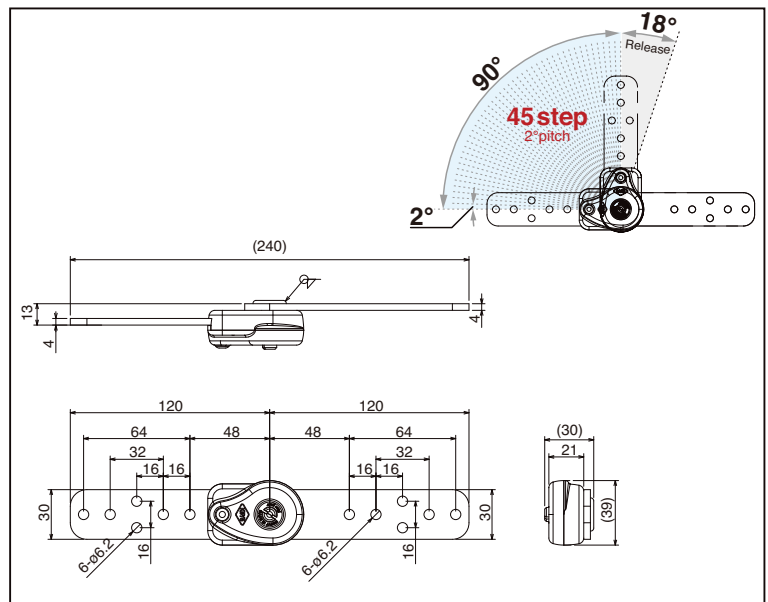
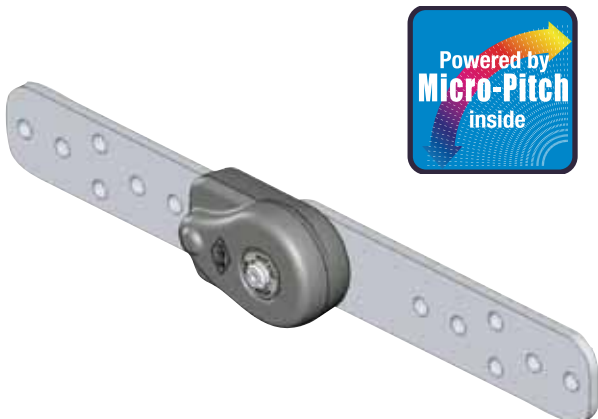
LS200 SERIES

DURABILITY
200N·m

LS200-MP90L-32AF



LS200(S)-MP90I-11

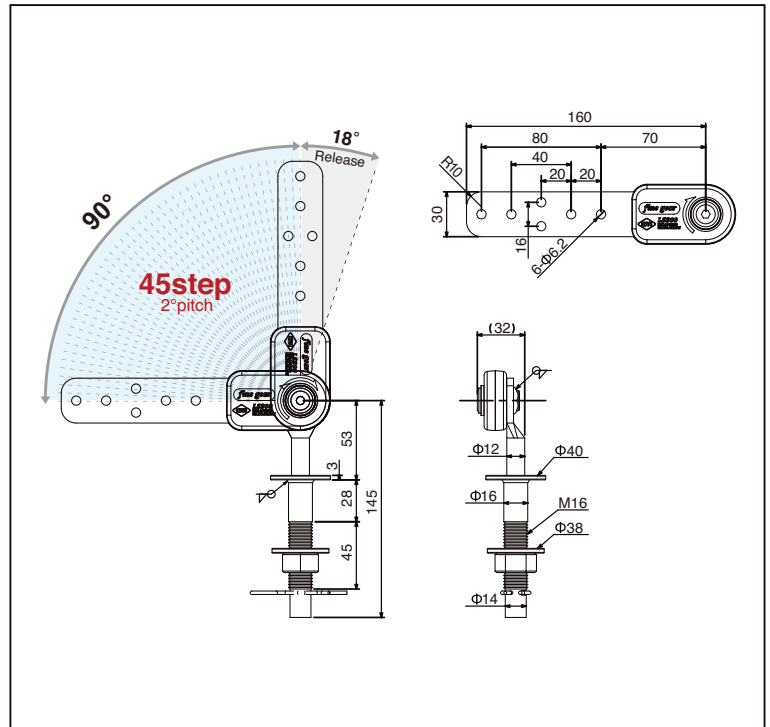
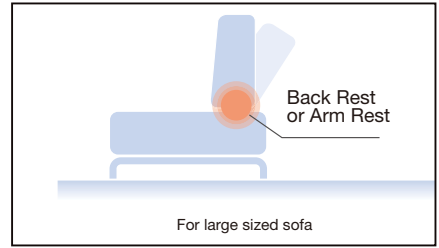


Note: A spiral spring is installed

LS300 SERIES

DURABILITY
300N·m

LS300-MP90I-R40B

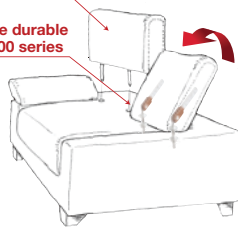


Durability

Improved durability by 50% in comparison with LS200 series.

Easier detachable mechanism

50% More durable than LS200 series



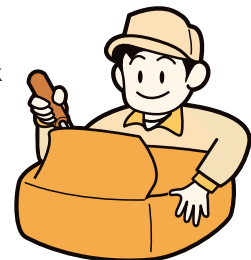
300N·m



50%UP

Assembly

Separate assembly realized for the back rest and the seat



Packing

Compact Packing saving your shipping cost.

